



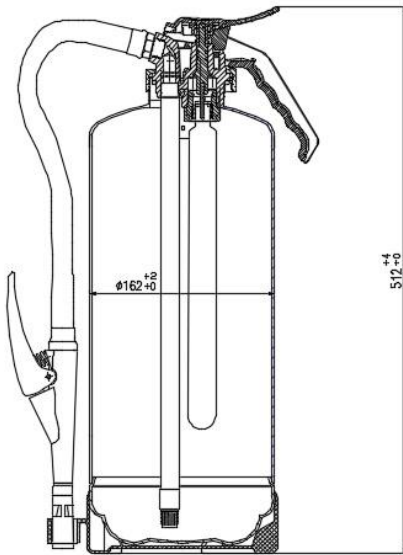
SAE S.r.l.
 Corso Kennedy, 30
 10070 Robassomero (TO) (Italy)
 Tel: +39 011 924.19.91
 Fax: +39 011 924.17.69
 www.sae-srl.com

Datasheet				
Mod.	Dwg n.	Date	Check	Rev.
6GIK-S-74-A	941181	19/10/2016	AC	0

SAE-Aplus® FIRE EXTINGUISHER 6L
with internal CO₂ cartridge
Certified PED 2014/68/EU and EN 3.7
Fire rating 43A



Organic solid materials
 wood, rubber, textiles, etc.



Technical specification

Cylinder diameter _____ : 162 mm
 Material _____ : Steel cylinder internal coated, PE valve
 Operating pressure _____ : 15 bar at 20°C
 Test pressure _____ : 30 bar
 Burst pressure _____ : > 55 bar
 Temperature range _____ : 0°C + 60°C
 Extinguishing agent _____ : SAE-Aplus®
 Propellant _____ : 60 gr. CO₂ cartridge
 Nominal charge _____ : 6 l
 Jet length _____ : ~ 6 m

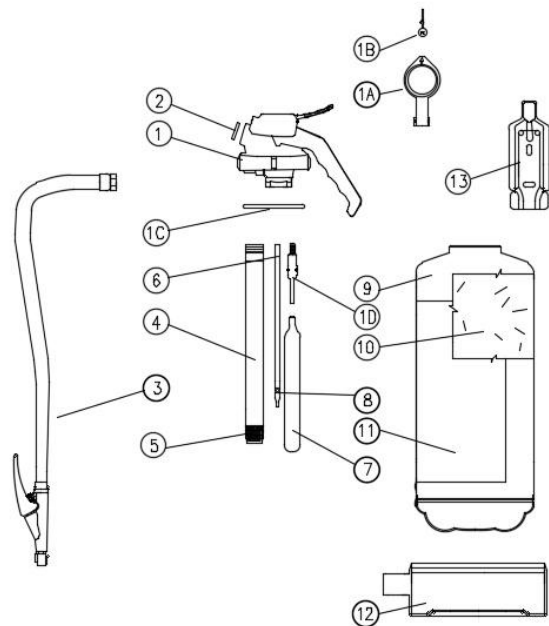
Dimensions

Height: 512 mm
 Diameter: 162 mm
 Weight: 11kg

SPARE PARTS LIST

Pos.	Description	Code
1	Complete valve	7200110
1A	Safety clip (yellow)	2250015
1B	Seal	2100014
1C	O-Ring	2090014
1D	Piston group	2380015
2	Bursting disk	2300009
3	Hose with pistol and nozzle	2330129
4	Dip tube	2230090
5	Filter	2410001
6	Pressurizing tube	2230189
7	60 gr. CO ₂ cartridge	2450024
8	Seal for pressurizing tube	2250009
9	Cylinder	0010558
10	SAE-Aplus®	2020055

Pos.	Description	Code
11	Label	-
12	Base (black)	2017450
13	Wall bracket	2200064



The use of non original spare parts may cause malfunctions loss

Maintenance and Guarantee

Maintenance must be made periodically by, trained and certified staff, according to the local regulations of the country where it is located. The extinguisher is guaranteed for 24 months from the date of the supply. The guarantee includes, repairing or replacement for production defects, unit must be sent back to the factory free of charge, only when authorized written agreement with our sales office has been reached. The guarantee expires in case of tampering and bad maintenance made by not-authorized staff. It must be recharged only by staff authorized and certified by SAE S.r.l. use only original extinguisher agent and spare parts.

Technical data are subject to modification for improvements without prior notice

Total or partial reproduction, of this document is prohibited