



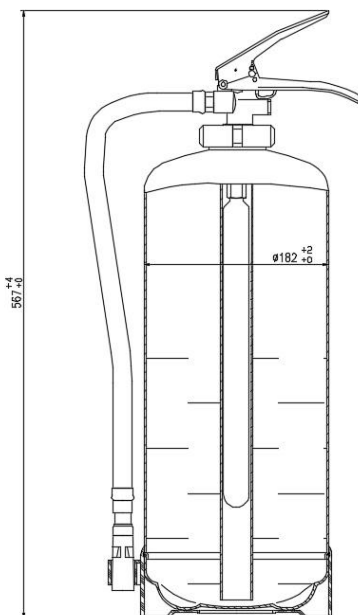
**SAE S.r.l.**  
 Corso Kennedy, 30  
 10070 Robassomero (TO) (Italy)  
 Tel: +39 011 924.19.91  
 Fax: +39 011 924.17.69  
 www.sae-srl.com

Datasheet				
Mod.	Dwg n.	Date	Check	Rev.
9GIK-S-58-A	941343	19/10/2016	AC	0

**SAE-Aplus® FIRE EXTINGUISHER 9L**  
**with internal CO2 cartridge**  
**Certified PED 2014/68/EU and EN 3.7**  
**Fire rating 55A**



Organic solid materials  
 wood, rubber, textiles, etc.



**Technical specification**

Cylinder diameter \_\_\_\_\_ : 182 mm  
 Material \_\_\_\_\_ : Steel cylinder internal coated, aluminium valve  
 Operating pressure \_\_\_\_\_ : 15 bar at 20°C  
 Test pressure \_\_\_\_\_ : 30 bar  
 Burst pressure \_\_\_\_\_ : > 55 bar  
 Temperature range \_\_\_\_\_ : 0°C + 60°C  
 Extinguishing agent \_\_\_\_\_ : SAE-Aplus®  
 Propellant \_\_\_\_\_ : 50 gr. CO<sub>2</sub> cartridge  
 Nominal charge \_\_\_\_\_ : 9 l  
 Jet length \_\_\_\_\_ : ~ 7 m

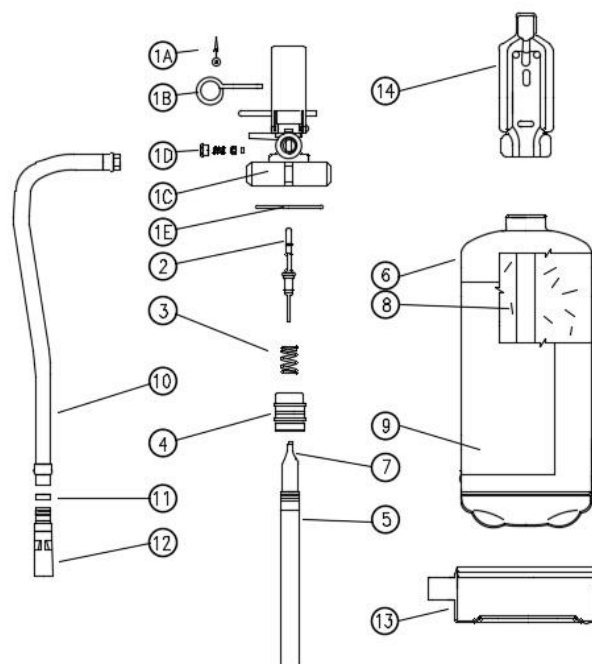
**Dimensions**

Height: 567 mm  
 Diameter: 182 mm  
 Weight: 15kg

**SPARE PARTS LIST**

Pos.	Description	Code
1	Complete valve	7204031
1A	Seal	2250008
1B	Safety pin	2100015
1C	O-Ring Ø25,12x1,78	2090040
1D	Safety valve	2030015
1E	O-Ring Ø52x4	2090034
2	Piston group	2380015
3	Spring	2151200
4	Tube holder	2160014
5	Dip tube	2230128
6	Cylinder	0010641
7	50gr CO <sub>2</sub> cartridge	2450025
8	SAE-Aplus®	2020055
9	Label	-
10	Hose	2330126
11	Filter	2410006

Pos.	Description	Code
12	Nozzle	2290016
13	Base (black)	2017451
14	Wall bracket	2200064



The use of non original spare parts may cause malfunctions loss

**Maintenance and Guarantee**

Maintenance must be made periodically by, trained and certified staff, according to the local regulations of the country where it is located. The extinguisher is guaranteed for 24 months from the date of the supply. The guarantee includes, repairing or replacement for production defects, unit must be sent back to the factory free of charge, only when authorized written agreement with our sales office has been reached. The guarantee expires in case of tampering and bad maintenance made by not-authorized staff. It must be recharged only by staff authorized and certified by SAE S.r.l. use only original extinguisher agent and spare parts.

Technical data are subject to modification for improvements without prior notice

Total or partial reproduction, of this document is prohibited